



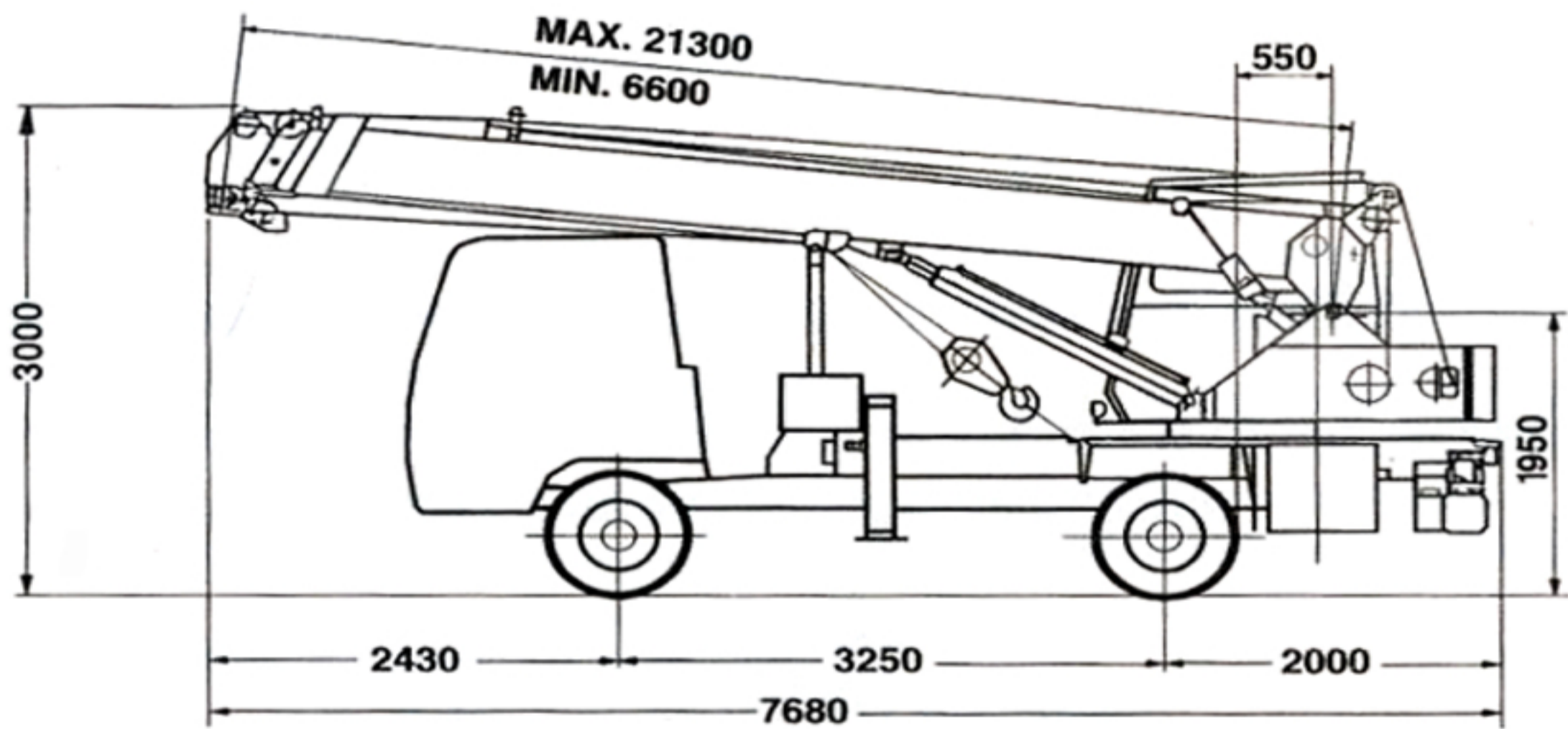
TADANO

TS - 75ML

(8 Ton Capacity)

TRUCK MOUNTED CRANE

DIMENSIONS



**TADANO**

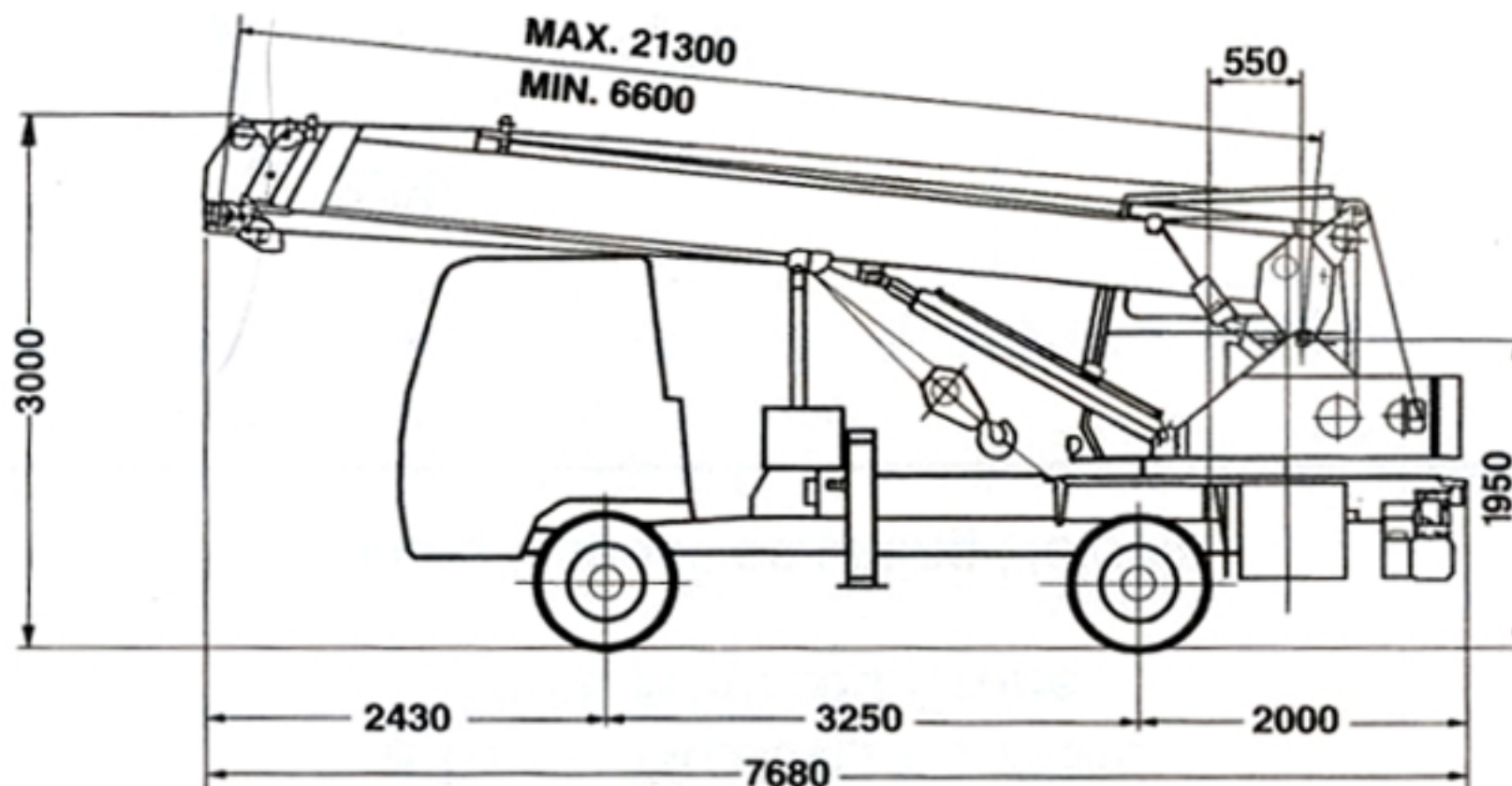
8 Tonne TADANO TS-75ML Truck Mounted Crane

Lifting Capacities Main Boom

Standard Boom 6,6 - 21,3 m. On Outriggers.

Radius m	Main Boom								Radius m
	Front Jack extended (360°) Front Jack not extended (over sides & rear)				Front Jack not extended (over front)				
	6,6	11,5	16,4	21,3	6,6	11,5	16,4	21,3	
2,3	8,00	-	-	-	8,00	-	-	-	2,3
2,5	7,00	-	-	-	7,00	-	-	-	2,5
3,0	6,10	4,90	-	-	5,20	4,90	-	-	3,0
3,5	5,30	4,60	3,50	-	3,80	3,90	3,50	-	3,5
4,0	4,35	4,30	3,20	-	2,70	2,80	2,80	-	4,0
4,5	3,60	3,70	3,00	2,00	1,90	2,10	2,10	2,00	4,5
5,0	3,00	3,10	2,80	2,00	1,50	1,60	1,60	1,70	5,0
5,5	2,55	2,65	2,60	1,85	1,20	1,30	1,30	1,35	5,5
6,0	2,25	2,35	2,40	1,70	0,90	1,05	1,05	1,10	6,0
7,0	-	1,80	1,85	1,45	-	0,75	0,75	0,80	7,0
8,0	-	1,45	1,50	1,25	-	0,50	0,50	0,55	8,0
9,0	-	1,20	1,25	1,10	-	0,35	0,35	0,40	9,0
10,0	-	1,00	1,05	0,95	-	0,25	0,25	0,30	10,0
10,9	-	0,85	0,85	0,85	-	0,15	0,15	0,20	10,9
12,0	-	-	0,70	0,75	-	-	-	-	12,0
13,0	-	-	0,60	0,65	-	-	-	-	13,0
14,0	-	-	0,50	0,55	-	-	-	-	14,0
15,0	-	-	0,40	0,45	-	-	-	-	15,0
15,8	-	-	0,35	0,40	-	-	-	-	15,8
17,0	-	-	-	0,35	-	-	-	-	17,0
18,0	-	-	-	0,28	-	-	-	-	18,0
19,0	-	-	-	0,23	-	-	-	-	19,0
20,0	-	-	-	0,18	-	-	-	-	20,0
20,5	-	-	-	0,15	-	-	-	-	20,5

Dimensions

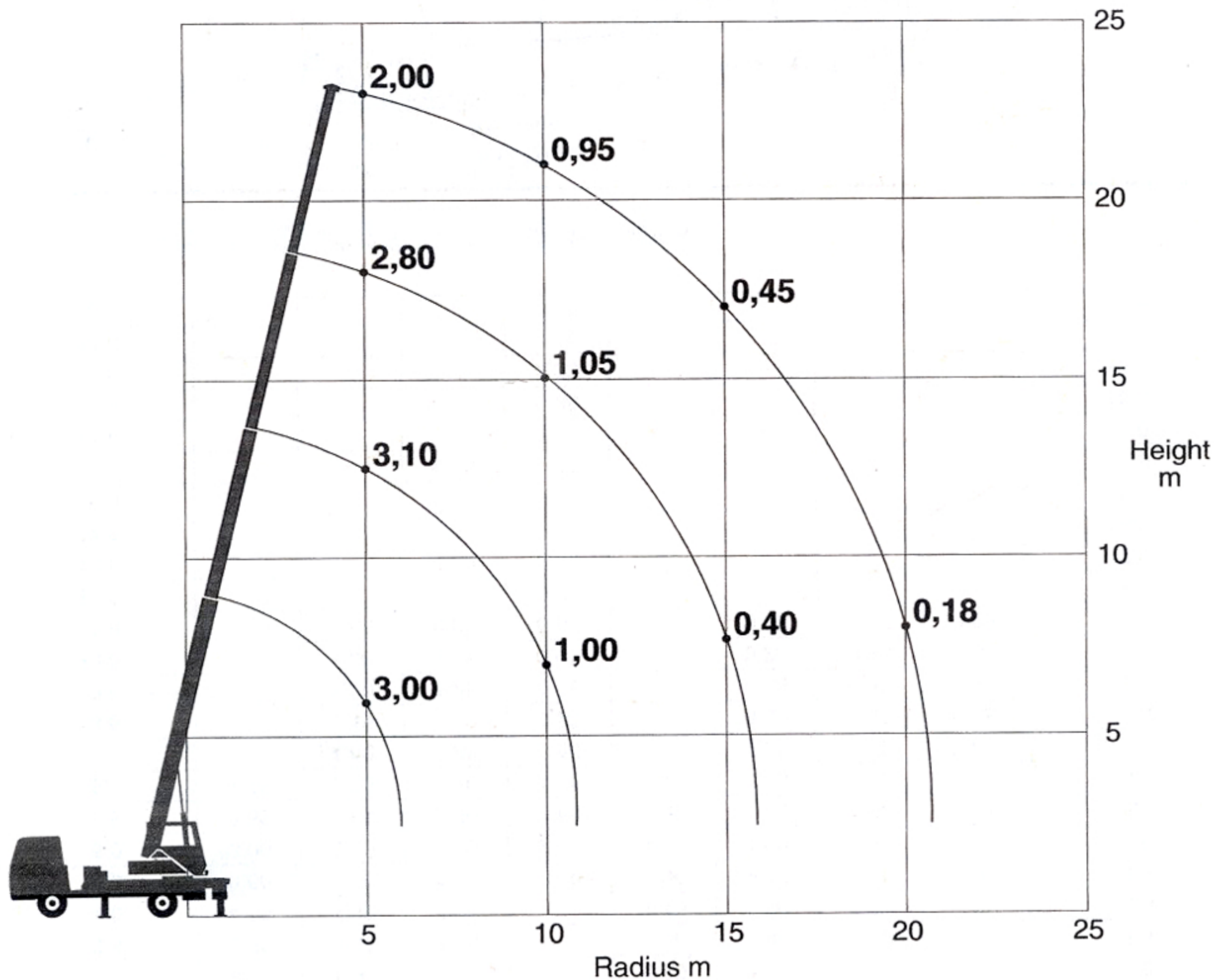


Gross Vehicle Weight	8,12 te	Overall Width	2,23 m
Fully Extended Outrigger Width	4,40 m	Tail Swing Radius	1,60 m

8 Tonne TADANO TS-75ML Truck Mounted Crane

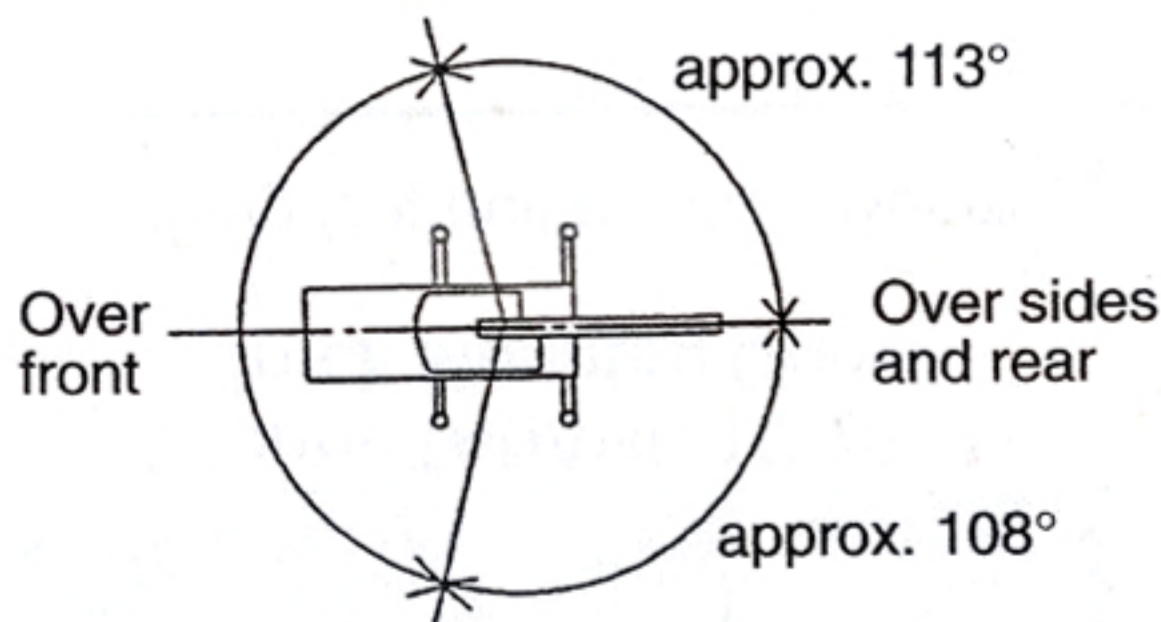
Lifting Capacities/Lifting Heights

Standard Boom 6,6 - 21,3 m. On Outriggers. Working Range 360°



Working Area Diagram

Working Area Diagram



Specifications are subject to change without notice.



TADANO INTERNATIONAL (EUROPE) B.V.

ANTENNESTRAAT 6, 3903 LZ VEENENDAAL

THE NETHERLANDS

Telephone: 08385-23977

Telex: 36650

Facsimile: 08385-26337



TADANO LTD.

4-12, Kamezawa 2-chome,

Sumida-ku,

Tokyo 130, Japan

Telephone: Tokyo 03-621-7777

Cable: TADANIRCO TOKYO

Telex: J23755

Facsimile: 03-621-7783